

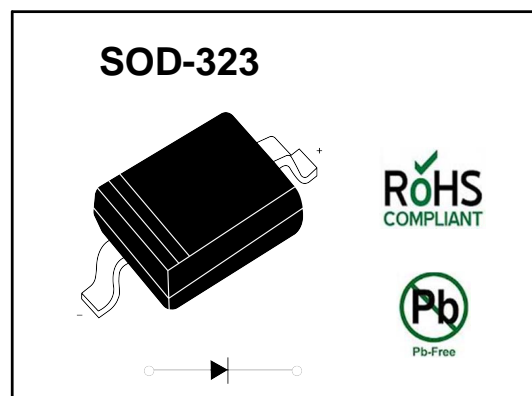
Silicon Planar Zener Diodes

Features

- Power Dissipation: 300 mW
- Zener Voltage Tolerance: $\pm 2\%$

PINNING

PIN	DESCRIPTION
1	Cathode
2	Anode



Absolute Maximum Ratings ($T_a = 25\text{ }^\circ\text{C}$)

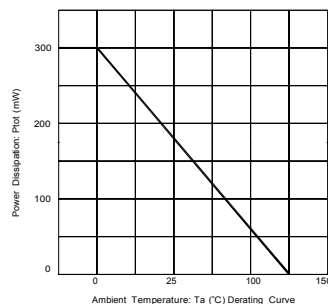
Parameter	Symbol	Value	Unit
Total Power Dissipation	P_{tot}	300	mW
Junction Temperature	T_j	150	$^\circ\text{C}$
Storage Temperature Range	T_{stg}	- 55 to + 150	$^\circ\text{C}$

Characteristics at $T_a = 25\text{ }^\circ\text{C}$

Parameter	Symbol	Max.	Unit
Thermal Resistance Junction to Ambient Air	$R_{\theta JA}$	417	$^\circ\text{C/W}$
Forward Voltage at $I_F = 10\text{ mA}$	V_F	0.9	V

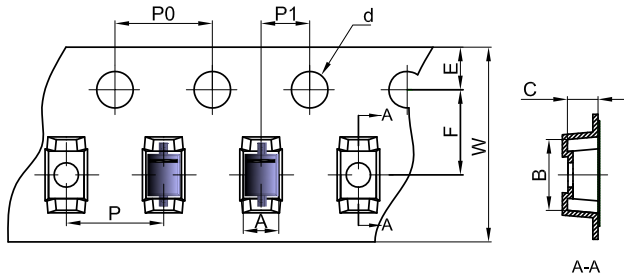
Type	Marking Code	Zener Voltage Range ¹⁾			Dynamic Impedance		Reverse Leakage Current	
		V _{znom} V	I _{ZT} mA	V _{ZT} V	Z _{ZT} (Max.)	at I _{ZT}	I _R (Max.)	at V _R
					Ω	mA	μA	V
MM3Z2B4	DN	2.4	5	2.352...2.448	100	5	120	1
MM3Z2B7	DP	2.7	5	2.646...2.754	110	5	120	1
MM3Z3B0	DR	3.0	5	2.94...3.06	120	5	50	1
MM3Z3B3	DX	3.3	5	3.234...3.366	130	5	20	1
MM3Z3B6	DY	3.6	5	3.528...3.672	130	5	10	1
MM3Z3B9	DZ	3.9	5	3.822...3.978	130	5	5	1
MM3Z4B3	ZO	4.3	5	4.214...4.386	130	5	5	1
MM3Z4B7	EB	4.7	5	4.606...4.794	130	5	2	1
MM3Z5B1	EC	5.1	5	4.998...5.202	130	5	2	1.5
MM3Z5B6	ED	5.6	5	5.488...5.712	80	5	1	2.5
MM3Z6B2	EE	6.2	5	6.076...6.324	50	5	1	3
MM3Z6B8	EF	6.8	5	6.664...6.936	30	5	0.5	3.5
MM3Z7B5	EH	7.5	5	7.35...7.65	30	5	0.5	4
MM3Z8B2	EJ	8.2	5	8.036...8.364	30	5	0.5	5
MM3Z9B1	EK	9.1	5	8.918...9.282	30	5	0.5	6
MM3ZB10	EM	10	5	9.8...10.2	30	5	0.1	7
MM3ZB11	EN	11	5	10.78...11.22	30	5	0.1	8
MM3ZB12	EP	12	5	11.76...12.24	35	5	0.1	9
MM3ZB13	ER	13	5	12.74...13.26	35	5	0.1	10
MM3ZB15	EX	15	5	14.7...15.3	40	5	0.1	11
MM3ZB16	EY	16	5	15.68...16.32	40	5	0.1	12
MM3ZB18	EZ	18	5	17.64...18.36	45	5	0.1	13
MM3ZB20	FA	20	5	19.6...20.4	50	5	0.1	15
MM3ZB22	FB	22	5	21.56...22.44	55	5	0.1	17
MM3ZB24	FC	24	5	23.52...24.48	60	5	0.1	19
MM3ZB27	FD	27	5	26.46...27.54	70	2	0.1	21
MM3ZB30	FE	30	5	29.4...30.6	80	2	0.1	23
MM3ZB33	FF	33	5	32.34...33.66	80	2	0.1	25
MM3ZB36	FH	36	5	35.28...36.72	90	2	0.1	27
MM3ZB39	FJ	39	2.5	38.22...39.78	100	2	2	30
MM3ZB43	XJ	43	2.5	42.14...43.86	130	2	2	33
MM3ZB47	XK	47	2.5	46.06...47.94	150	2	2	36
MM3ZB51	XM	51	2.5	49.98...52.02	180	2	1	39
MM3ZB56	XN	56	2.5	54.88...57.12	180	2	1	43
MM3ZB62	XP	62	2.5	60.76...63.24	200	2	0.2	47
MM3ZB68	XR	68	2.5	66.64...69.36	250	2	0.2	52
MM3ZB75	XX	75	2.5	73.5...76.5	300	2	0.2	57

¹⁾ V_Z is tested with pulses (20 ms).



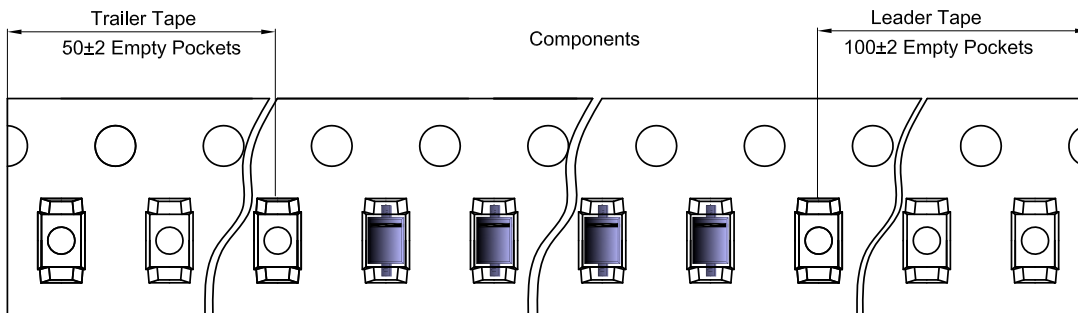
SOD-323 Tape and Reel

SOD-323 Embossed Carrier Tape

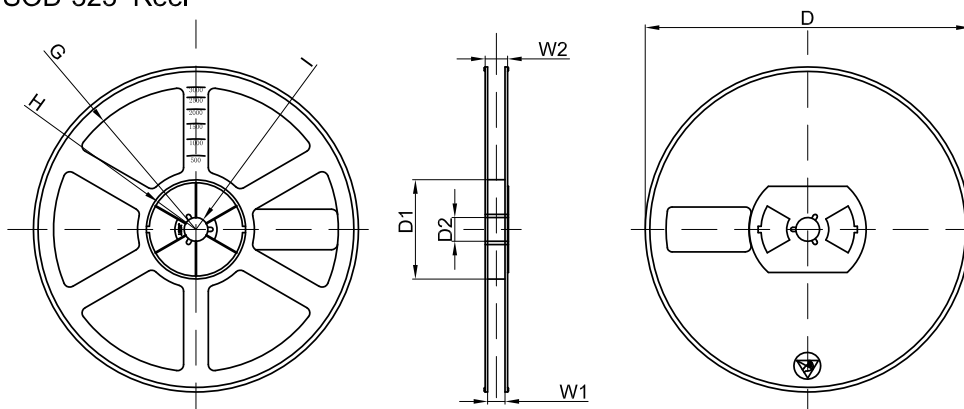


Dimensions are in millimeter										
Pkg type	A	B	C	d	E	F	P0	P	P1	W
SOD-323	1.48	3.3	1.25	Ø1.50	1.75	3.50	4.00	4.00	2.00	8.00

SOD-323 Tape Leader and Trailer



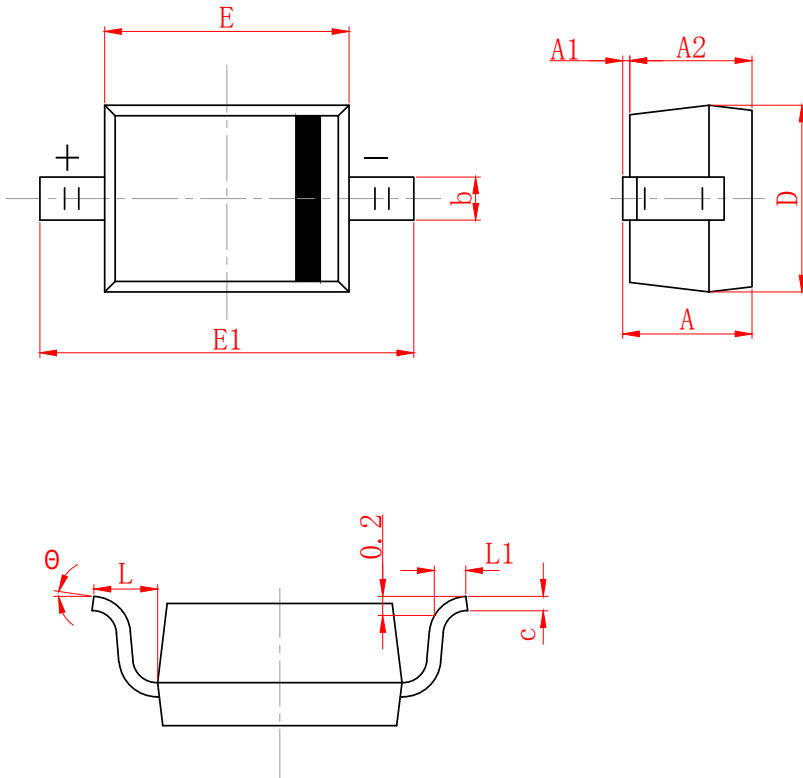
SOD-323 Reel



Dimensions are in millimeter								
Reel Option	D	D1	D2	G	H	I	W1	W2
7" Dia	Ø178.00	54.40	13.00	R78.00	R25.60	R6.50	9.50	12.30

REEL	Reel Size	Box	Box Size(mm)	Carton	Carton Size(mm)	G.W.(kg)
3000 pcs	7 inch	45,000 pcs	203×203×195	180,000 pcs	438×438×220	

SOD-323 Package Outline Dimensions



SYMBOL	MILLIMETER	
	MIN	MAX
A		1.000
A1	0.000	0.100
A2	0.800	0.900
b	0.250	0.350
c	0.008	0.150
D	1.200	1.400
E	1.600	1.800
E1	2.500	2.700
L	0.475 (REF)	
L1	0.250	0.400
θ	0°	8°

DISCLAIMER

JHG PROVIDES TECHNICAL AND RELIABILITY DATA (INCLUDING DATASHEETS), DESIGN RESOURCES (INCLUDING REFERENCE DESIGNS), APPLICATION OR OTHER DESIGN ADVICE, SAFETY INFORMATION, AND OTHER RESOURCES "AS IS" AND WITH ALL FAULTS, AND DISCLAIMS ALL WARRANTIES, EXPRESS AND IMPLIED, INCLUDING WITHOUT LIMITATION ANY IMPLIED WARRANTIES OF MERCHANTABILITY, FITNESS FOR A PARTICULAR PURPOSE OR NON-INFRINGEMENT OF THIRD PARTY INTELLECTUAL PROPERTY RIGHTS.

These resources are intended for skilled developers designing with JHG products. You are solely responsible for

- (1) selecting the appropriate JHG products for your application;
- (2) designing, validating and testing your application;
- (3) ensuring your application meets applicable standards, and any other safety, security, or other requirements.

These resources are subject to change without notice. JHG grants you permission to use these resources only for development of an application that uses the JHG products described in the resource. Other reproduction and display of these resources are prohibited. No license is granted to any other JHG intellectual property right or to any third party intellectual property right. JHG disclaims responsibility for, and you will fully indemnify JHG and its representatives against, any claims, damages, costs, losses, and liabilities arising out of your use of these resources.